

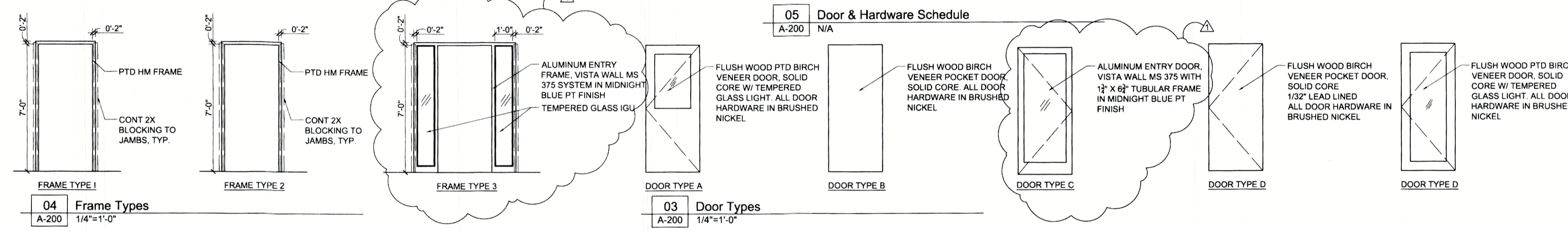
No	Elevation	Manufacturer	System	Width	Height	Sill Ht	Head Ht	Pt Color	Notes
W 01	West	Vista Wall	Series 3000, Center Set	87"	46"	Match Exist	Match Exist	Military Blue	Operable Portion
W 02	West	Vista Wall	Series 3000, Center Set	87"	46"	Match Exist	Match Exist	Military Blue	Operable Portion
S 01	South	Vista Wall	Series 3000, Center Set	43"	46"	Match Exist	Match Exist	Military Blue	
S 02	South	Vista Wall	Series 3000, Center Set	43"	46"	Match Exist	Match Exist	Military Blue	
E 01	East	Vista Wall	Series 3000, Center Set	87"	46"	Match Exist	Match Exist	Military Blue	Operable Portion
E 02	East	Vista Wall	Series 3000, Center Set	35"	46"	35"	Match Exist	Military Blue	Match Sill Ht to Adj Windows

06 Window Schedule
A-200 N/A

No.	Door Type	Leaf Size		Swing		Frame Type	Rating	Hardware	Notes
		Width	Height	Handing	Direction				
D 100	A	C	3'-0"	7'-0"	LH	Reverse	3	E	VISTA WALL MS 375
D 100	B	B	3'-0"	7'-0"	POCKET	Regular	2	A	2= PEMKO PF28200A7284+TIMELY POCKET DOOR TRIM KIT 4 5X3070X1 38
D 102	A	A	3'-0"	7'-0"	RH	Regular	1	A	
D 102	B	E	3'-0"	7'-0"	RH	Regular	1	A	
D 103	A	A	3'-0"	7'-0"	LH	Regular	1	A	
D 104	A	A	3'-0"	7'-0"	LH	Regular	1	A	
D 105	A	A	3'-0"	7'-0"	RH	Regular	1	A	
D 106	A	A	3'-0"	7'-0"	LH	Regular	1	A	
D 107	A	A	3'-0"	7'-0"	RH	Regular	1	A	
D 108	A	D	3'-0"	7'-0"	LH	Regular	1	A	
D 109	A	A	3'-0"	7'-0"	LH	Regular	1	B	
D 110	A	A	3'-0"	7'-0"	LH	Regular	1	B	
D 111	A	A	3'-0"	7'-0"	LH	Regular	1	A	
D 112	A	Exist						C	Exist
D 113	A	A	3'-0"	7'-0"	LH	Regular	1	A	

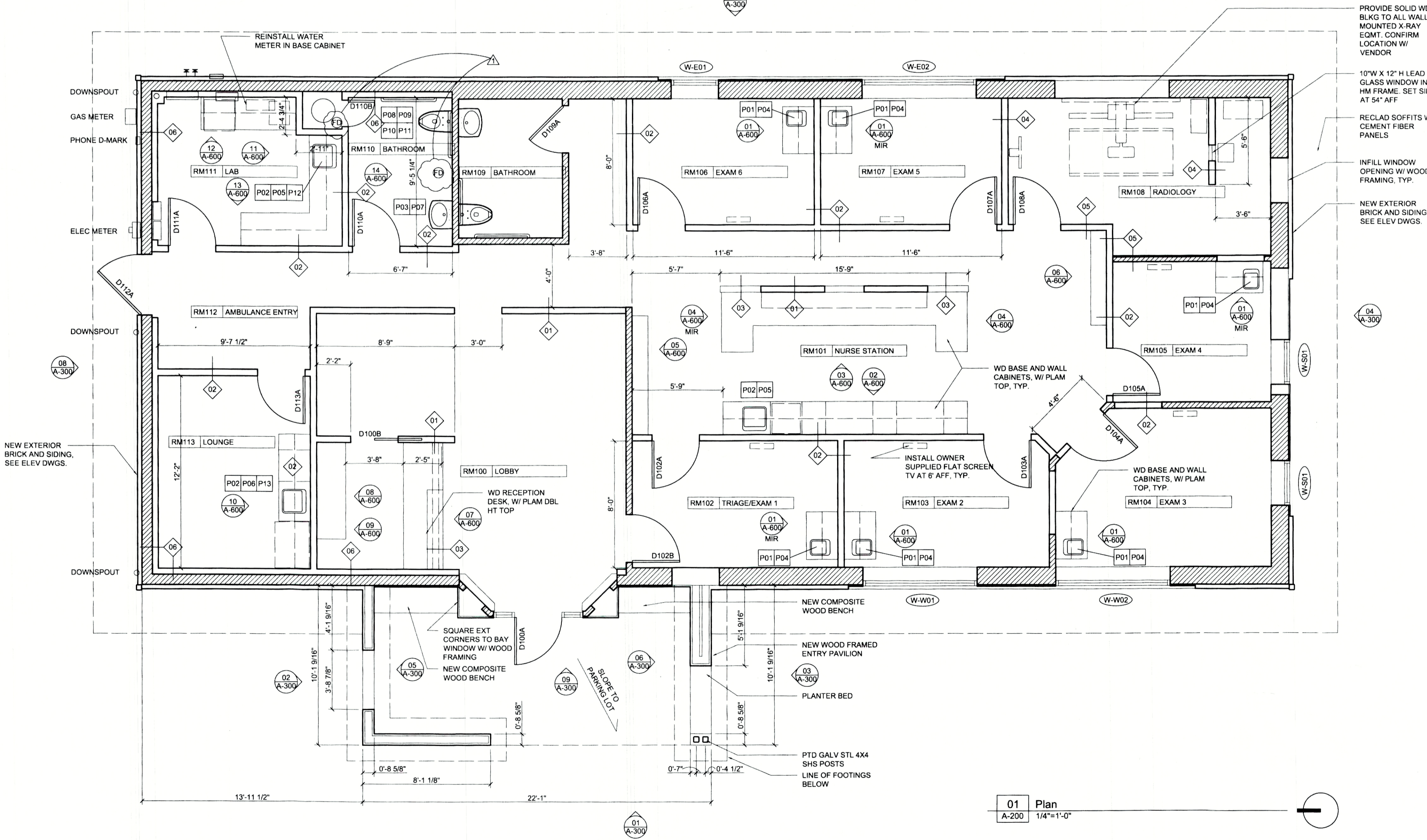
Hardware Type	HINGES				HANDLESET				CLOSER				ACCESSORIES	
	Manu	Model	Finish	Quantity	Manu	Model	Finish	Quantity	Manu	Model	Finish	Quantity		
A	Hager	BB 1168 4 5X4 5	626	3	SCHLAGE	AL 10 S SAT	626	1	NA				IVES FS13 626	
B	Hager	BB 1168 4 5X4 5	626	3	SCHLAGE	AL 40 S SAT	626	1	NA				IVES FS13 626	
C		NA			SCHLAGE	COBRA	626	1	LCN	LCN 1260 H	ALM	1	NGP 130NA WEATHER STRP	
D		NA			IVES	990	626	1	NA				NA	
E	BY WINDOW VENDOR				BY WINDOW VENDOR				BY WINDOW VENDOR				Electric Push Pad Opener	

05 Door & Hardware Schedule
A-200 N/A



ID	Type	Quantity	Model	Model #	Vendor	Material / Finish
P1	Doctor Station Sink	6	Camelot Single Bowl Bar Sink	22240	Moen	Stainless Steel, Polished
P2	Sink	3	Camelot Single Bowl Kitchen Sink	22224	Moen	Stainless Steel, Polished
P3	ADA Sink	1	Stelo wall mount lavatory	K-2084 L O	Kohler	White
P4	Doctor Station Faucet	7	Selectronic Gossneck Faucet w/ Opt. Mixing Valve	6056 163 & 605 KTMV	American Standard	Chrome
P5	Nurse Station Faucet	1	Wing Handle Gossneck Faucet w/ Eyewash Station	15D	TBD	Chrome
P6	Kitchenette Faucet	1	Single Control Kitchen Faucet, No Handsprayer	4175-200	American Standard	Chrome
P7	Bathroom Faucet	1	Touchless AC-powered electronic gossneck faucet	K-10653-4-G	Kohler	Brushed Chrome
P8	Toilet ADA Compliant	1	Highlift Flush Valve Bowl	K-4368	Kohler	White
P9	Toilet Paper Dispenser	1	Single Roll Tissue Dispenser	B-2730	Bonick	Cast Aluminum with Satin Finish
P10	Grab Bar - 36"	1	Bonick 1-1/2" dia. SS grab bar with snap flange	B-6806	Bonick	Stainless Steel, Satin Finish
P11	Grab Bar - 42"	1	Bonick 1-1/2" dia. SS grab bar with snap flange	B-6806	Bonick	Stainless Steel, Satin Finish
P12	Lab Sink Disposer	1	Medical Waste Disposer	15D	TBD	N/A
P13	Kitchenette Disposer	1	3/4 HP Disposer	Hager 5HP	In Sink Erator	N/A

02 Plumbing Fixture Schedule
A-200 N/A



PROVIDE SOLID WD BLKG TO ALL WALL MOUNTED X-RAY EGMT. CONFIRM LOCATION W/ VENDOR

10"W X 12" H LEAD GLASS WINDOW INTO HM FRAME. SET SILL AT 54" AFF

RECLAD SOFFITS W/ CEMENT FIBER PANELS

INFILL WINDOW OPENING W/ WOOD FRAMING, TYP.

NEW EXTERIOR BRICK AND SIDING. SEE ELEV DWGS.